

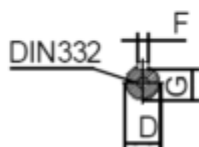
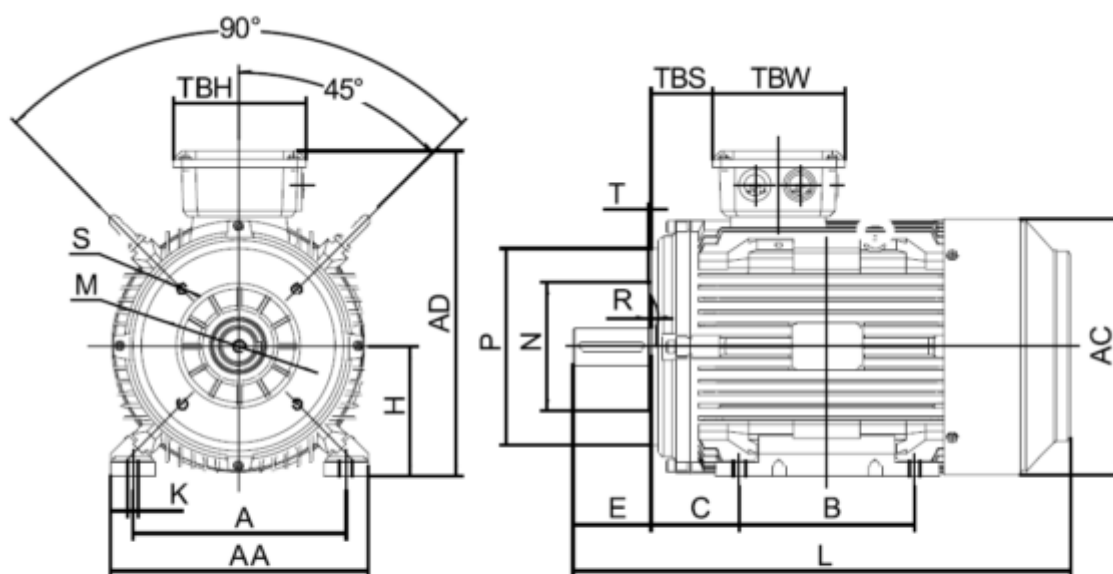
Data Sheet



Article number: 250301850626

Description: Kleedrive T3C 200L1-6 18.5KW 900 rpm
3x400/690V 50HZ IP55 B34 Eff=91,7%

Measures



A = 318	F = 16	P =
AA = 393	G = 49	R =
AC = Ø399	H = 200	S = -
AD = 500	HD = 300	T =
B = 305	K = Ø19	TBH = 233
C = 133	L = 768.5	TBS = 192
D = Ø55	M =	TBW = 186
E = 110	N =	